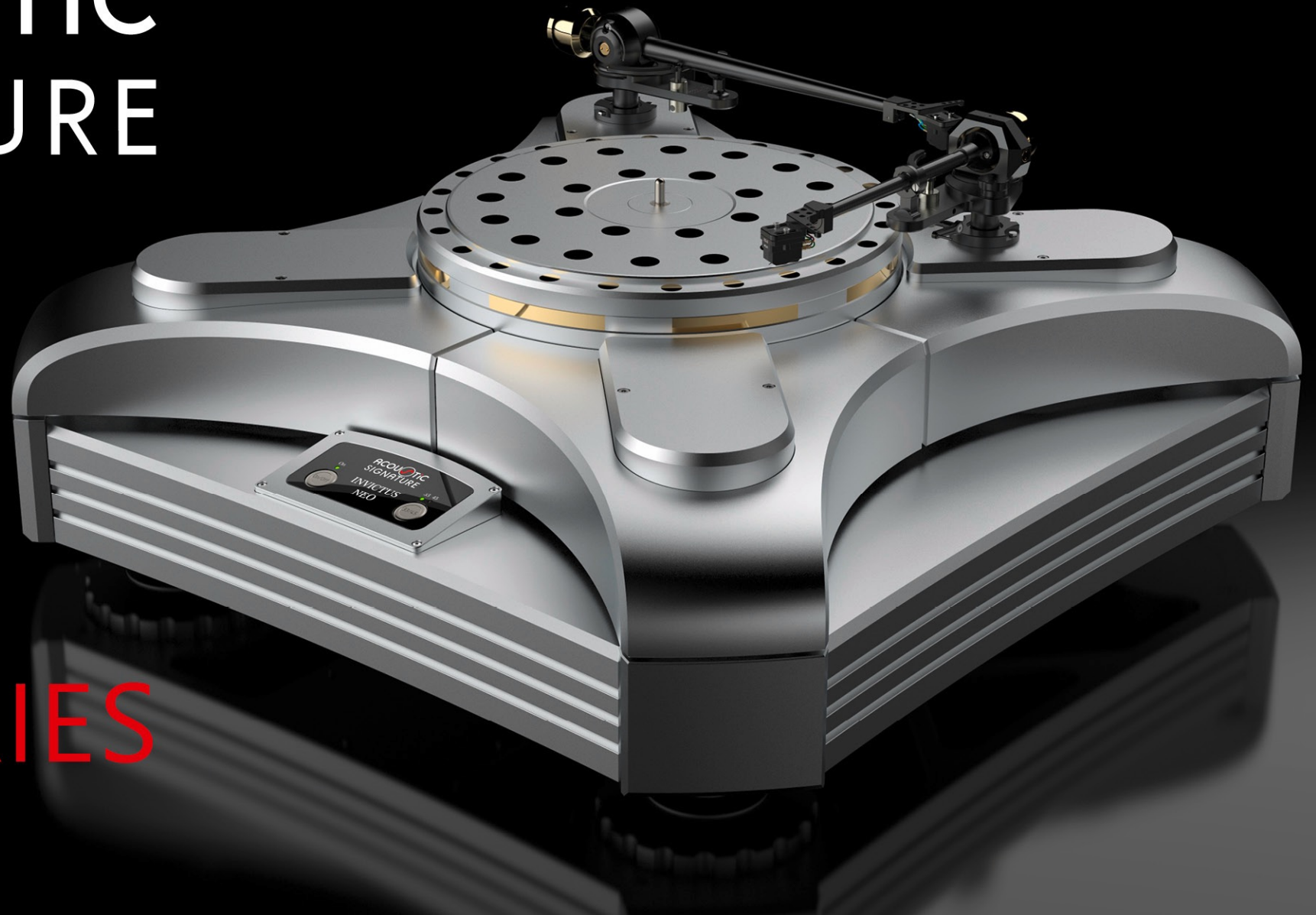


# ACOUSTIC SIGNATURE



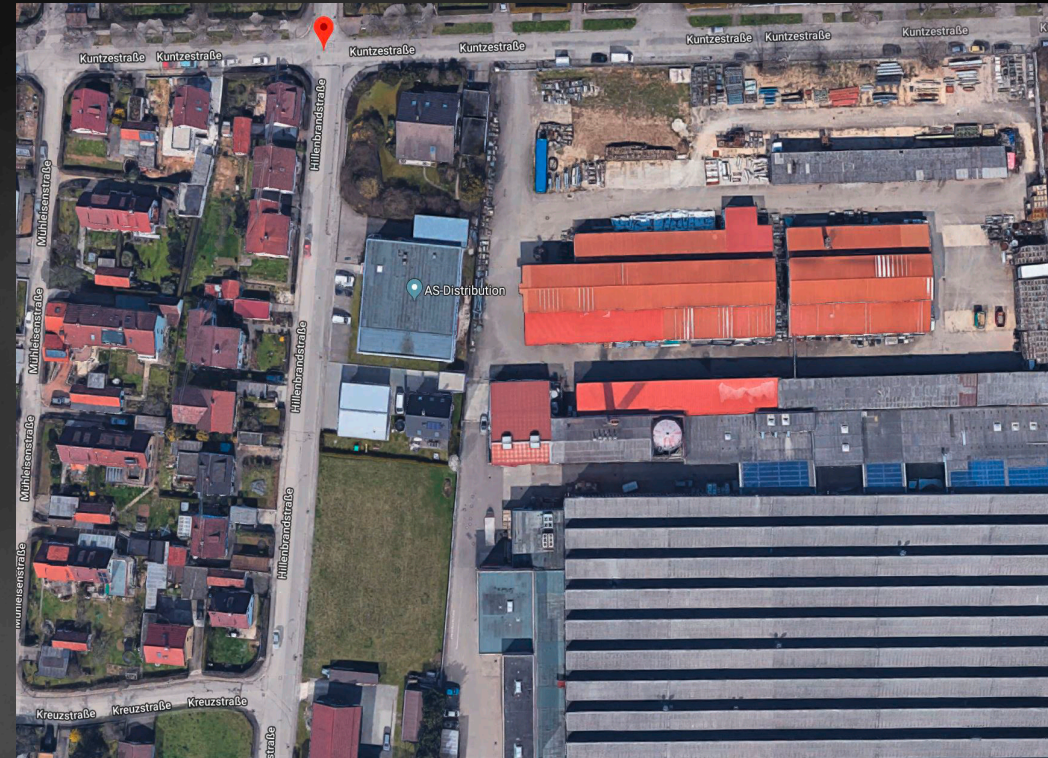
## NEO SERIES

# CONTENT

- 1) OUR LOCATION
- 2) ABOUT US
- 3) HOW IT ALL STARTED ...
- 4) ALL AROUND THE WORLD ...
- 5) PHILOSOPHY
- 6) TURNTABLES
- 7) SPECIAL TECHNOLOGIES
- 8) TONEARMS
- 9) PHONO PREAMP
- 10) ACCESSORIES
- 11) CARTRIDGES
- 12) WARRANTY
- 13) AWARDS



# OUR LOCATION



AS-Distribution GmbH

Manufacturer of ACOUSTIC SIGNATURE

Hillenbrandstraße 10

73079 Süßen in Germany



# ABOUT US



Managing Director & Founder  
Gunther Frohnhofer



Managing Director  
Jacqueline Frohnhofer



# HOW IT ALL STARTED ...

- ACOUSTIC SIGNATURE was founded in 1996 – 25 years high end history
- Products by ACOUSTIC SIGNATURE first appeared in 1996
- The first mass turntable was developed and achieved excellent test results in Germany as well as in the USA
- Key activities:
  - Turntables
  - Tonearms
  - Phono preamplifiers
  - Cartridges
  - Phono accessories



The first mass turntable: FINAL TOOL

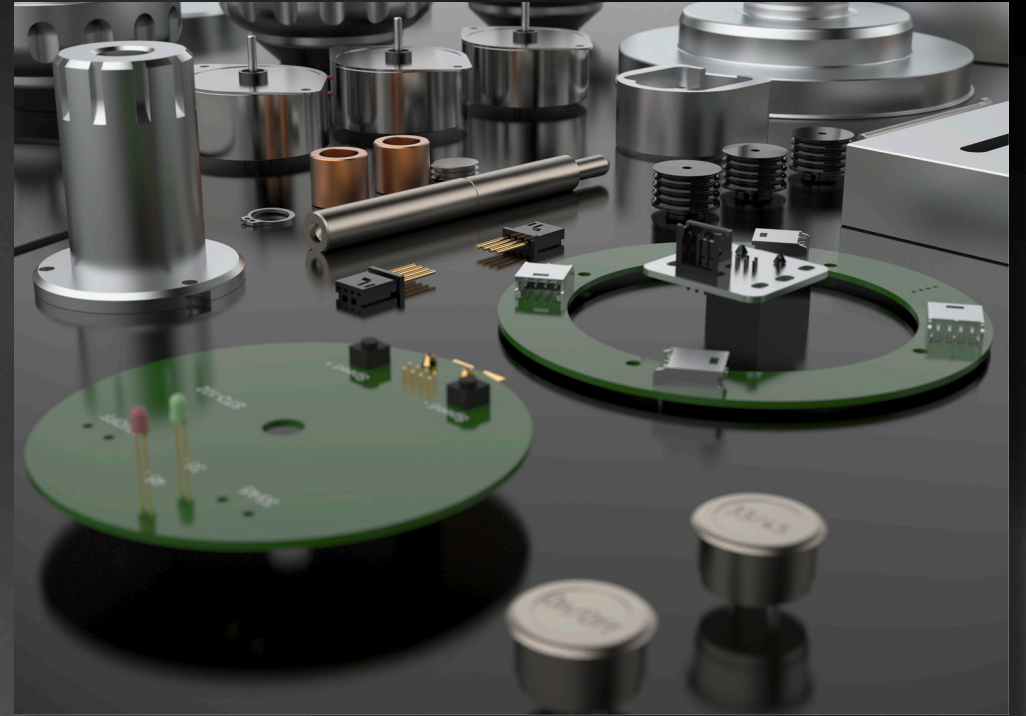
# ALL AROUND THE WORLD ...

- **Sales concept in Germany: Dealers**  
exclusive dealers in Germany
- **Sales concept worldwide: Distributors**  
ACOUSTIC SIGNATURE is represented by experts in nearly all important countries around the world: Belgium, Brazil, Canada, China P.R.C./Hongkong S.A.R./Macao S.A.R., Cyprus, Denmark, Great Britain, Greece, India, Ireland, Italy/Republic of San Marino, Latvia, New Zealand, Norway, Philippines, Republic of Korea, Russia, Spain, Sweden, Thailand, The Netherlands, Turkey, Ukraine, USA, Vietnam



# PHILOSOPHY

- Quality "MADE IN GERMANY"
- 100 % handmade at our company located in Süßen near Stuttgart in Germany
- High quality materials
- Best suppliers in the region
- Claim of perfect haptics
- Outstanding product functionality
- 15 years warranty for all NEO turntables and 5 years for all NEO tonearms
- Creation of highly appealing design icons
- Development of own technologies and innovations
- Product development with "State of the Art"-CAD/CAM systems
- Production with cutting-edge CNC technology
- Individual customization of all products for maximum performance
- Passion and love for smallest details



Technical Components

# TURNTABLES

## INVICTUS NEO

- 6 integrated, completely insulated AC-motors
- External digital motor controller DMC-20 with super stable multi-voltage power supply and innovative AVC-system level 3 (Anti-Vibration Control)
- Ultraprecise, extremely rigid and robust DTD<sup>®</sup>-bearing with diamond-coated spindle (Dura Turn Diamond<sup>®</sup> Bearing)
- Exclusive Silencer technology for effective reduction of platter vibration
- Massive aluminum chassis with CLD technology (Constraint Layer Damping) for significantly improved resonance behavior
- Integrated control panel
- 3-point setup with 3D-printed magnetic double-damping feet
- Prepared for up to 4 tone arms
- 15-year warranty (with registration)





# TURNTABLES

## INVICTUS JUNIOR NEO

- 4 integrated, completely insulated AC-motors
- External digital motor controller DMC-20 with super stable multi-voltage power supply and innovative AVC-system level 3 (Anti-Vibration Control)
- Ultraprecise, extremely rigid and robust DTD®-bearing with diamond-coated spindle (Dura Turn Diamond® Bearing)
- Exclusive Silencer technology for effective reduction of platter vibration
- Massive aluminum chassis with CLD technology (Constraint Layer Damping) for significantly improved resonance behavior
- 3-point setup with special gel-damped feet
- Prepared for up to 4 tone arms
- Integrated control panel
- 15-year warranty (with registration)



# TURNTABLES

## ASCONA NEO

- 3 integrated, completely insulated AC-motors
- External digital motor controller DMC-20 with super stable multi-voltage power supply and innovative AVC-system level 3 (Anti-Vibration Control)
- Ultraprecise, extremely rigid and robust DTD®-bearing with diamond-coated spindle (Dura Turn Diamond® Bearing)
- Exclusive Silencer technology for effective reduction of platter vibration
- Massive aluminum chassis with CLD technology (Constraint Layer Damping) for significantly improved resonance behavior
- 3-point setup with special gel-damped feet
- Prepared for up to 3 tone arms
- Integrated control panel
- 15-year warranty (with registration)





# TURNTABLES

## MONTANA NEO

- 3 integrated, completely insulated AC-motors
- External digital motor controller DMC-20 with super stable multi-voltage power supply and innovative AVC-system level 3 (Anti-Vibration Control)
- Ultraprecise, extremely rigid and robust DTD®-bearing with diamond-coated spindle (Dura Turn Diamond® Bearing)
- Exclusive Silencer technology for effective reduction of platter vibration
- Massive aluminum chassis with CLD technology (Constraint Layer Damping) for significantly improved resonance behavior
- 3-point setup with special gel-damped feet
- Prepared for up to 2 tone arms
- Integrated control panel
- 15-year warranty (with registration)



# TURNTABLES

## TYPHOON NEO

- 3 integrated, completely insulated AC-motors
- External digital motor controller DMC-20 with super stable multi-voltage power supply and innovative AVC-system level 2 (Anti-Vibration Control)
- Ultraprecise, extremely rigid and robust DTD®-bearing with diamond-coated spindle (Dura Turn Diamond® Bearing)
- Exclusive Silencer technology for effective reduction of platter vibration
- Massive aluminum chassis with CLD technology (Constraint Layer Damping) for significantly improved resonance behavior
- 3-point setup with special gel-damped feet
- Prepared for up to 3 tone arms
- Flexible placeable control panel
- 15-year warranty (with registration)





# TURNTABLES

## VERONA NEO

- 2 integrated, completely insulated AC-motors
- External digital motor controller DMC-20 with super stable multi-voltage power supply and innovative AVC-system level 3 (Anti-Vibration Control)
- Ultraprecise, extremely rigid and robust DTD<sup>®</sup>-bearing with diamond-coated spindle (Dura Turn Diamond<sup>®</sup> Bearing)
- Exclusive Silencer technology for effective reduction of platter vibration
- CLD technology (Constraint Layer Damping) for significantly improved resonance behavior
- Optimized multi-sandwich chassis for higher rigidity and better acoustic properties
- 3-point setup with special gel-damped feet
- 15-year warranty (with registration)



# TURNTABLES

## HURRICANE NEO

- 2 integrated, completely insulated AC-motor
- External digital motor controller DMC-10 with super stable multi-voltage power supply and innovative AVC-system level 1 (Anti-Vibration Control)
- Ultraprecise, extremely rigid and robust DTD<sup>®</sup>-bearing with diamond-coated spindle (Dura Turn Diamond<sup>®</sup> Bearing)
- Exclusive Silencer technology for effective reduction of platter vibration
- Massive aluminum chassis with CLD technology (Constraint Layer Damping) for significantly improved resonance behavior
- 3-point setup with special gel-damped feet
- Prepared for up to 3 tone arms
- Flexible placeable control panel
- 15-year warranty (with registration)





# TURNTABLES

## TORNADO NEO

- 1 integrated, completely insulated AC-motor
- External digital motor controller DMC-10 with super stable multi-voltage power supply and innovative AVC-system level 1 (Anti-Vibration Control)
- Ultraprecise, extremely rigid and robust DTD<sup>®</sup>-bearing with diamond-coated spindle (Dura Turn Diamond<sup>®</sup> Bearing)
- Exclusive Silencer technology for effective reduction of platter vibration
- Massive aluminum chassis with CLD technology (Constraint Layer Damping) for significantly improved resonance behavior
- 3-point setup with special gel-damped feet
- Prepared for up to 3 tone arms
- Flexible placeable control panel
- 15-year warranty (with registration)



# TURNTABLES

## DOUBLE X NEO

- Quiet AC-motor with external, super stable multi-voltage power supply
- Integrated digital motor controller
- Innovative AVC-system level 1 (Anti-Vibration Control)
- Ultraprecise, extremely rigid and robust DTD<sup>®</sup>-bearing with diamond-coated spindle (Dura Turn Diamond<sup>®</sup> Bearing)
- Exclusive Silencer technology for effective reduction of platter vibration
- CLD technology (Constraint Layer Damping) for improved resonance behavior
- Optimized multi-sandwich chassis for higher rigidity and better acoustic properties
- 3-point setup with special gel-damped feet
- 15-year warranty (with registration)



# TURNTABLES

## MAXIMUS NEO

- Quiet AC-motor with external, super stable multi-voltage power supply
- Integrated digital motor controller
- Innovative AVC-system level 1 (Anti-Vibration Control)
- Ultraprecise, extremely rigid and robust DTD<sup>®</sup>-bearing with diamond-coated spindle (Dura Turn Diamond<sup>®</sup> Bearing)
- New and 30 % larger, resonance-reducing aluminum alloy chassis with aluminum platter
- 3-point setup with special gel-damped feet
- 15-year warranty (with registration)





# SPECIAL TECHNOLOGIES

## AVC-TECHNOLOGY

- In addition to our innovative "Silencer" and CLD (Constraint Layer Damping) technologies, we invented an additional milestone to reduce vibrations even further: ACOUSTIC SIGNATURE AVC – Automatic Vibration Control!
- The AVC technology is able to measure the resulting distortions in real time. Based on those measurements, AVC adjusts the phase shifts to the motor signals – also in real time and fully automatic!
- These digitally monitored "corrective measures" ensure a drastic reduction of the vibrations – an extra effective benefit for turntables driven by a multi-motor concept.
- Depending on the drive system and the number of motors used, our Automatic Vibration Control is implemented in three configuration stages, each with different intensity: AVC Level 1, AVC Level 2 and AVC Level 3 (Level 3 stands for the highest efficiency).



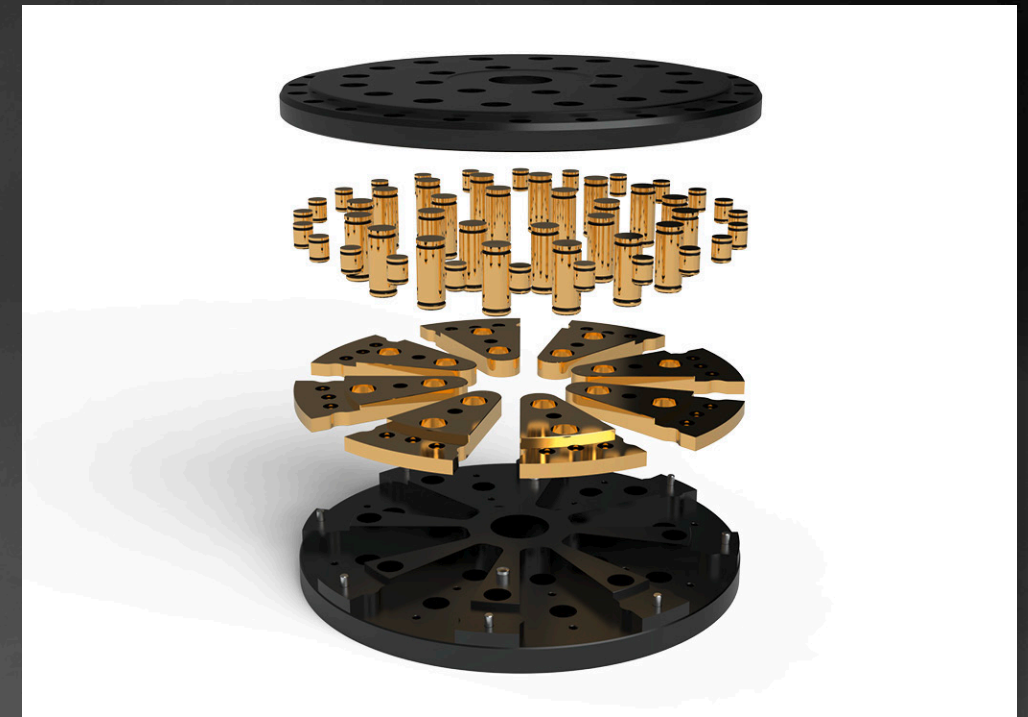
AVC Level 3 on the three motor powered ASCONA NEO

# SPECIAL TECHNOLOGIES



## CLD-TECHNOLOGY

- "Constraint Layer Damping" (CLD) is a mechanical engineering method for the absorption or minimization of vibrations.
- We already extended the typical CLD technology approach more than 20 years ago: the ACOUSTIC SIGNATURE "Silencer" platter, which immediately set new standards in vibration absorption.
- In the course of developing our NEO product line, we have been working intensively on improving our CLD concept. The result: a rigid, yet energy-absorbing chassis based on finite element design principles for significantly improved resonance behavior.
- The CLD technologies we implement in the ACOUSTIC SIGNATURE NEO turntable generation show off in terms of sound performance – with an even blacker background, larger imaging, increased transparency and, above all, breathtaking musicality.

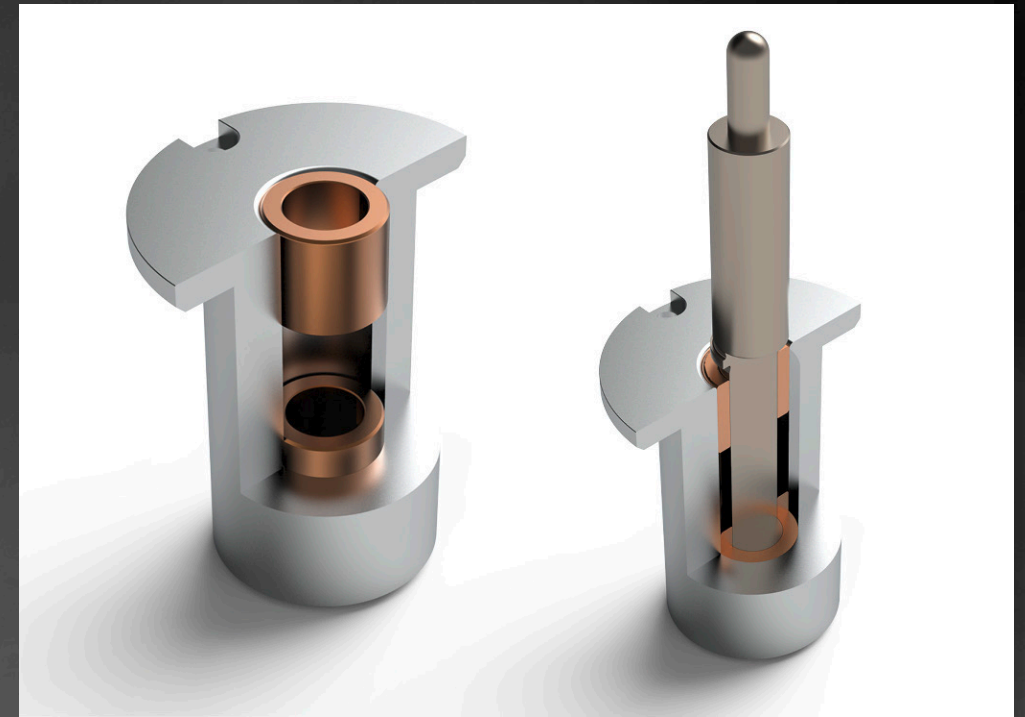


The CLD sandwich-platter of the ASCONA NEO with 56 Silencer modules

# SPECIAL TECHNOLOGIES

## DTD-TECHNOLOGY

- Our aim was to minimize its surface contact and the resulting noise, the result: a spindle with a diamond-like surface coating that competes with the hardest material on earth and reduces the friction coefficient by 60 percent!
- The Dura Turn Diamond® bearing is a ultraprecise, extremely rigid and virtually "indestructible" bearing that creates the best possible conditions for absolute high-end sound and sets news benchmark in terms of maintenance, low noise and service.
- Refill oil? Not necessary! Replenishment? Not necessary! Maintenance? Not necessary!
- The DTD® bearing is manufactured for each turntable in the ACOUSTIC SIGNATURE NEO series in an individual version adapted to the respective turntable.



Dura Turn Diamond® Bearing

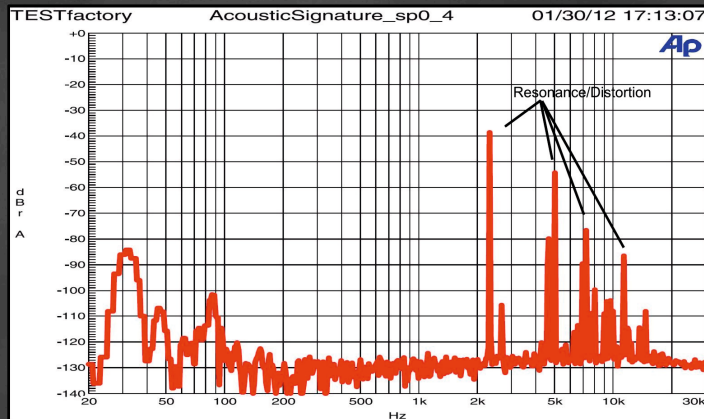


# SPECIAL TECHNOLOGIES

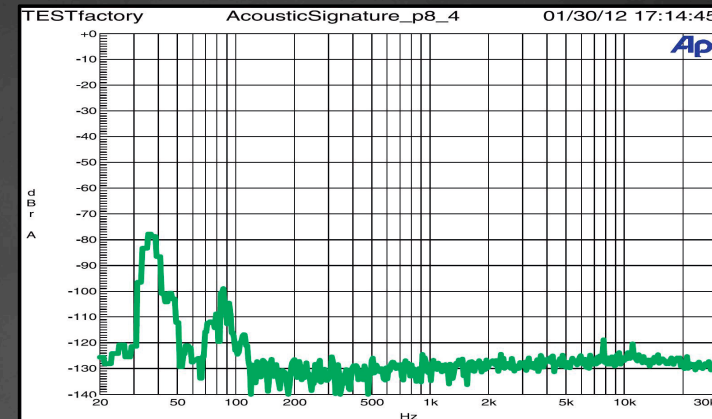
## SILENCER-TECHNOLOGY



- The Silencers (made of polished brass, optional: 24 carat gold-plated or polished chrome) reduce vibrations while the vinyl disk is playing
- They absorb this unwanted vibrations and improve the sound reproduction dramatically
- To give you an idea how much the Silencers will improve your listening, here are the test results of an independent laboratory:

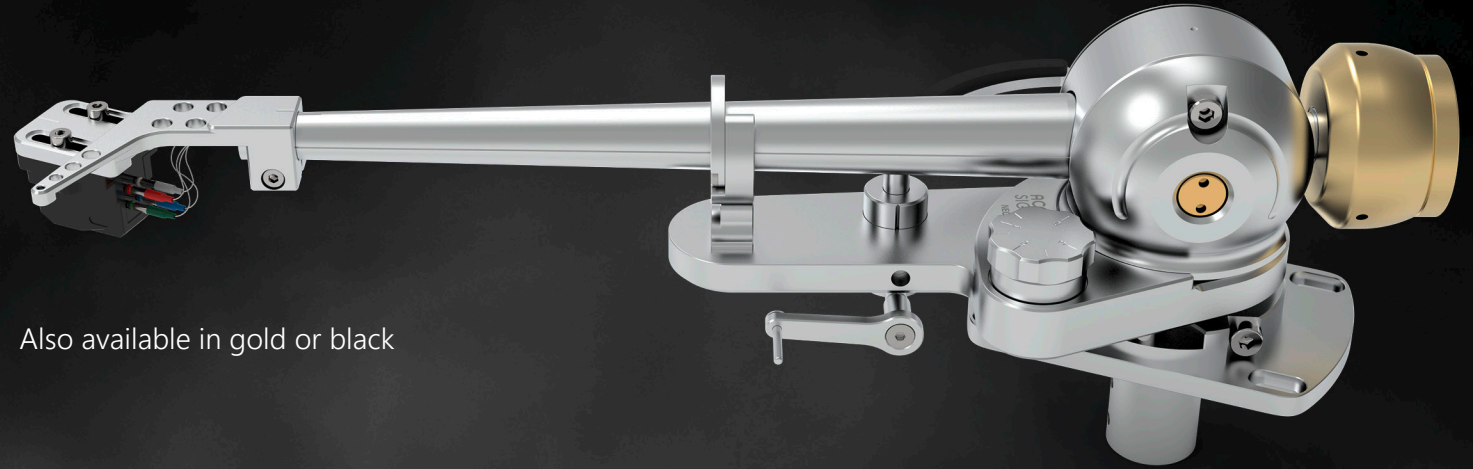


50 mm platter & no Silencer



50 mm platter with 8 Silencer

# TONEARMS

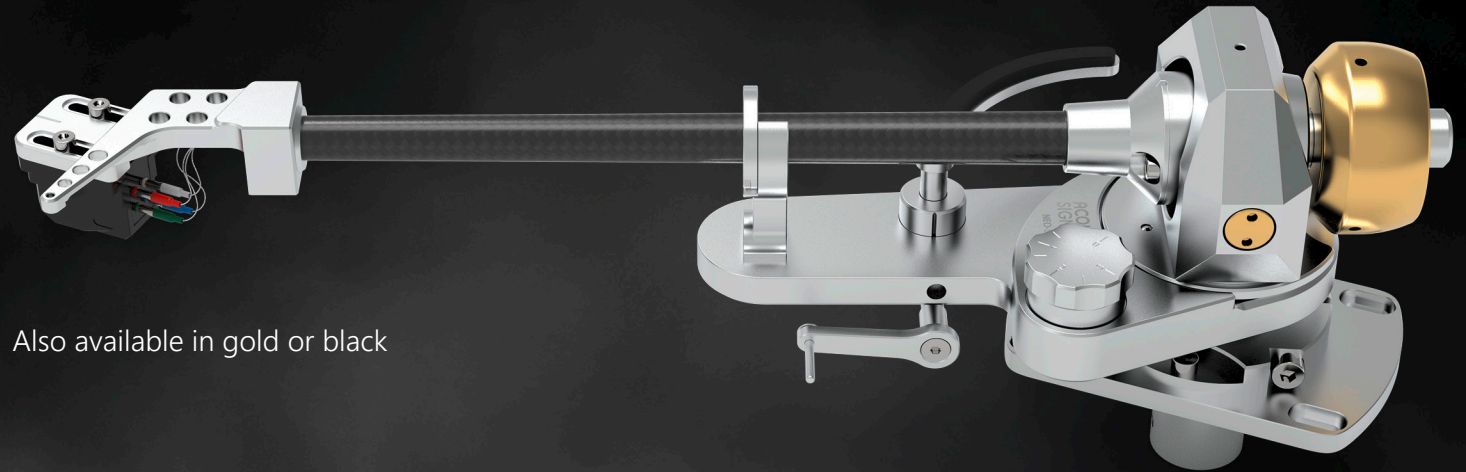


Also available in gold or black

## TA-9000 NEO

- Extensively damped multi-structure aluminum armtube
- Very low resonance, ultra-rigid tube design
- Available as 9" and 12" version
- Perfect tracking results due to frictionless, pre-tensioned high-precision ball bearings by Timken
- Better rigidity and smooth operation due to NEO stainless steel tonearm axis design
- Internal high-purity silver wiring (4N)
- Supplied with external Audioquest 5-pin phono cable (1,5 m, RCA or XLR)
- Counterweight made of brass
- Adjustable VTA & azimuth
- SME-type mounting versions
- 5-year warranty (with registration)

# TONEARMS



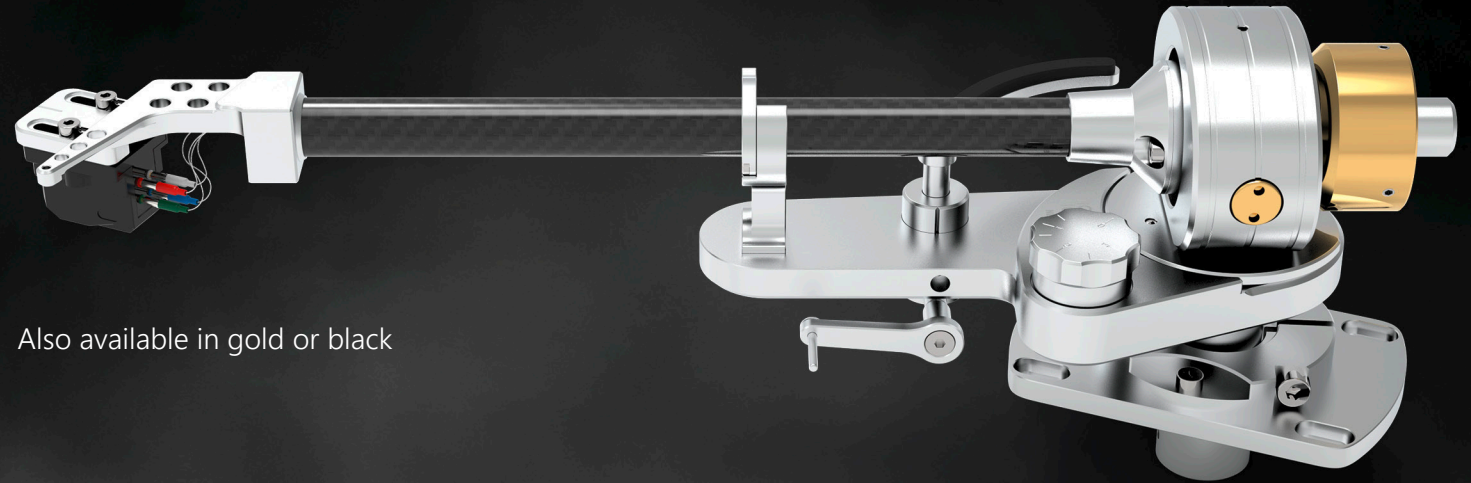
Also available in gold or black

## TA-7000 NEO

- Tonearm with 3D-damped carbon armtube
- Super-low resonance, extremely rigid and conical shaped tube design
- Available as 9" and 12" version
- Optimal tracking results due to pre-tensioned high-precision ball bearings
- Better rigidity and smooth operation due to NEO stainless steel tonearm axis design
- Internal high-purity silver wiring (4N)
- Supplied with external Audioquest 5-pin phono cable (1,5 m, RCA or XLR)
- Counterweight made of brass
- Adjustable VTA & azimuth
- SME-type mounting versions
- 5-year warranty (with registration)



# TONEARMS



Also available in gold or black

## TA-5000 NEO

- Tonearm with triple-layer carbon armtube
- Low resonance, rigid tube design
- Available as 9" and 12" version
- Optimal tracking results due to pre-tensioned high-precision hybrid ball bearings by SKF
- Better rigidity and smooth operation due to NEO stainless steel tonearm axis design
- Internal high-purity silver wiring (4N)
- Supplied with external Audioquest 5-pin phono cable (RCA)
- Counterweight made of brass
- Adjustable VTA & azimuth
- SME-type mounting versions
- 5-year warranty (with registration)

# TONEARMS



Also available in gold or black

## TA-2000 NEO

- Tonearm with dual-layer carbon armtube
- Low resonance, rigid tube design
- Available as 9" and 12" version
- Excellent tracking results due to precision miniature ball bearings by SKF
- Better rigidity and smooth operation due to NEO stainless steel tonearm axis design
- Internal studio-quality copper wiring by MOGAMI
- Supplied with external Audioquest 5-pin copper phono cable (RCA)
- Counterweight made of brass
- Adjustable VTA & azimuth
- Rega- and SME-type mounting versions
- 5-year warranty (with registration)



# TONEARMS



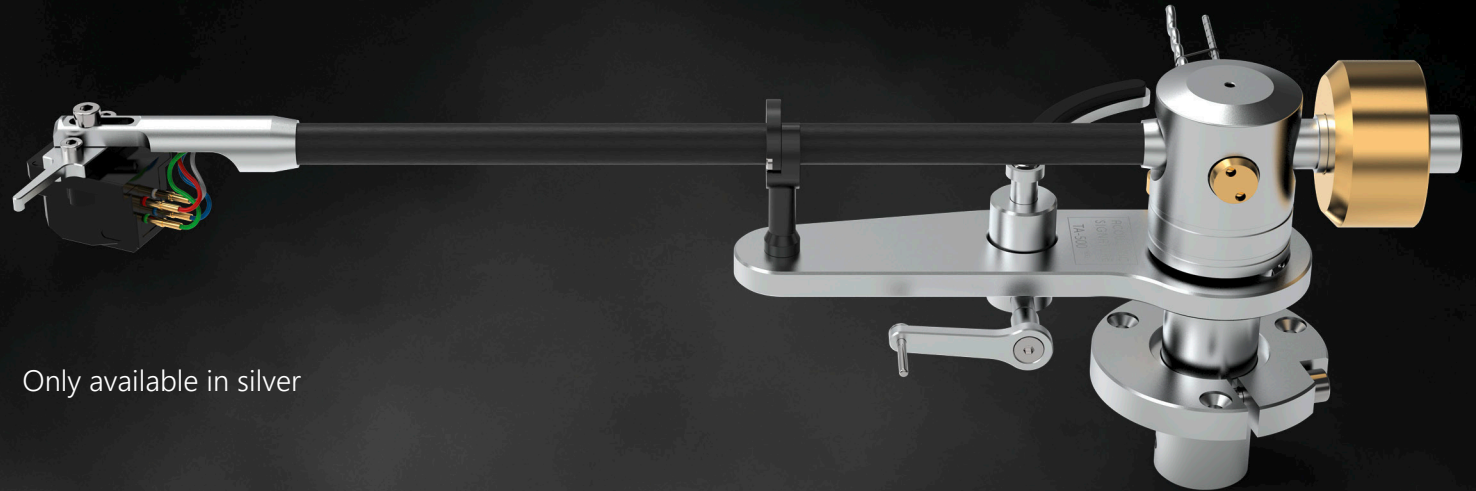
Also available in gold or black

## TA-1000 NEO

- Tonearm with dual-layer carbon armtube
- Low resonance, rigid tube design
- Available as 9" and 12" version
- Excellent tracking results due to precision miniature ball bearings
- Better rigidity and smooth operation due to NEO stainless steel tonearm axis design
- Internal studio-quality copper wiring by MOGAMI
- Supplied with external Audioquest 5-pin copper phono cable (RCA)
- Counterweight made of brass
- Adjustable VTA & azimuth
- Rega- and SME-type mounting versions
- 5-year warranty (with registration)



# TONEARMS



Only available in silver

## TA-500 NEO

- 9" tonearm with dual-layer carbon armtube
- Low resonance, rigid tube design
- Excellent tracking results due to precision miniature ball bearings
- Better rigidity and smooth operation due to NEO stainless steel tonearm axis design
- Internal studio-quality copper wiring by MOGAMI
- Supplied with external Audioquest 5-pin copper phono cable (RCA)
- Counterweight made of brass
- Adjustable VTA
- Rega-type mounting version
- 5-year warranty (with registration)

# PHONO PREAMP

## TANGO REFERENCE



- Phono preamplifier for MC, MI & MM cartridges
- Resonance-optimized and antimagnetic aluminum chassis
- Super precise RIAA and extremely low distortion due to high quality components and single-ended output stage (Class A)
- Extremely low hum & noise due to very short signal paths
- External, over-dimensioned power supply
- Subsonic filter against low-frequency interferences
- 4 selectable gain steps
- Adjustable load impedance via 90-steps DIP switch

# PHONO PREAMP

## TANGO MK3



- Phono preamplifier for MC, MI & MM cartridges
- Resonance-optimized and antimagnetic aluminum chassis
- Precise RIAA and extremely low distortion due to quality components
- Extremely low hum & noise due to short signal paths
- External, over-dimensioned power supply
- Subsonic filter against low-frequency interferences
- 2 selectable gain steps
- Adjustable load impedance via DIP switch



# ACCESSORIES

## GRIP-S

- Record clamp with aluminum body
- Eliminates record groove noise
- Silencer technology
- For a wide range of turntables, 15 lb platter or higher
- 752 g
- Available in silver anodized, black anodized or high class non anodized



# ACCESSORIES

## LOAD-S

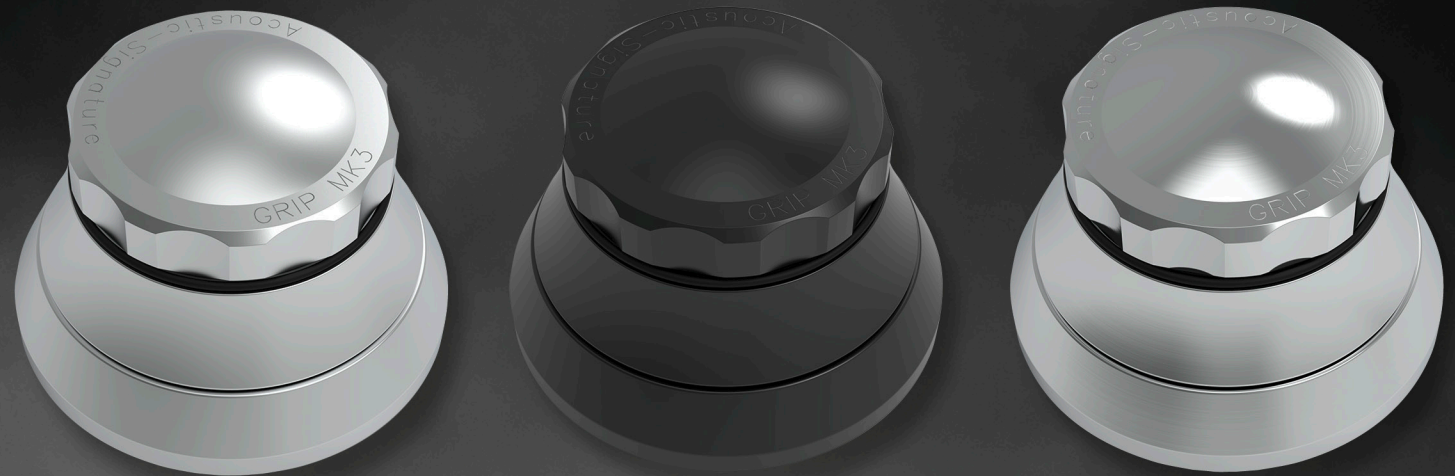
- Record weight with aluminum body
- Eliminates record groove noise
- Silencer technology
- For a wide range of turntables, 15 lb platter or higher
- 715 g
- Available in silver anodized, black anodized or high gloss non anodized



# ACCESSORIES

## GRIP

- Record clamp
- For more pressure to the record
- Easy to use
- For a wide range of turntables
- 315 g
- Available in silver anodized, black anodized or high gloss non anodized

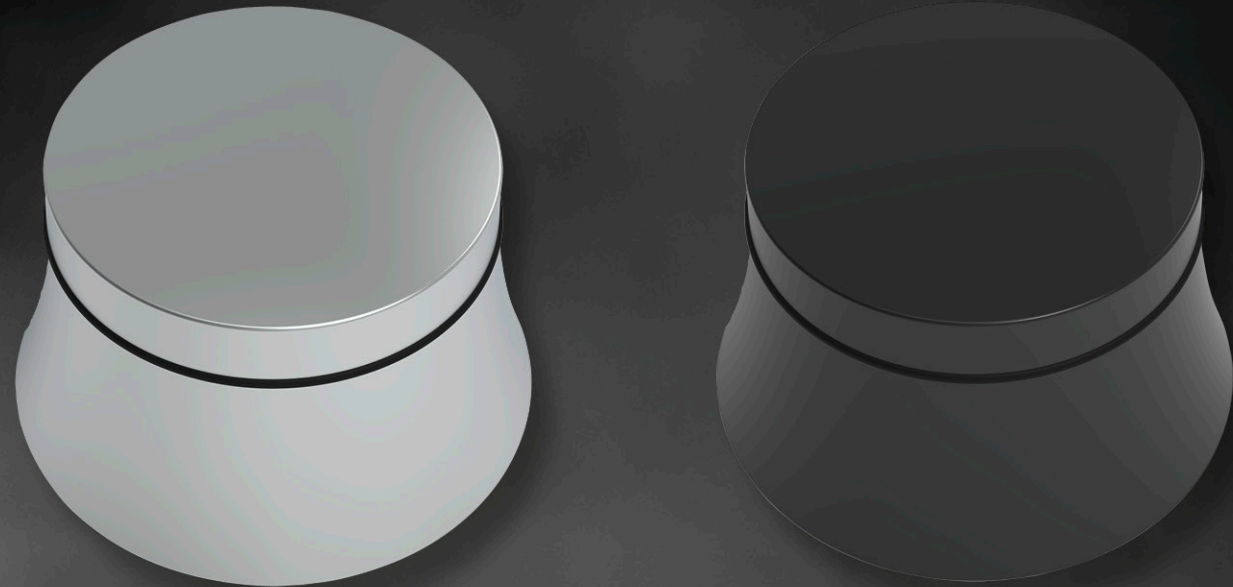




# ACCESSORIES

## LOAD

- Record weight
- For great contact between record and platter
- Easy to use
- For a wide range of turntables
- 280 g
- Available in silver anodized, black anodized or high class non anodized



# ACCESSORIES

## REGASPACER SET

- For adjust the height of rega tonearms without removing them
- Adjustment Set 1: 0.5 – 3.5 mm  
Adjustment Set 2: 0.5 – 6.5 mm
- Possible in steps of 0.5 mm



# ACCESSORIES

## VINYL DRILLER

- Aluminum handle
- Diameter 25 mm
- Length 85 mm

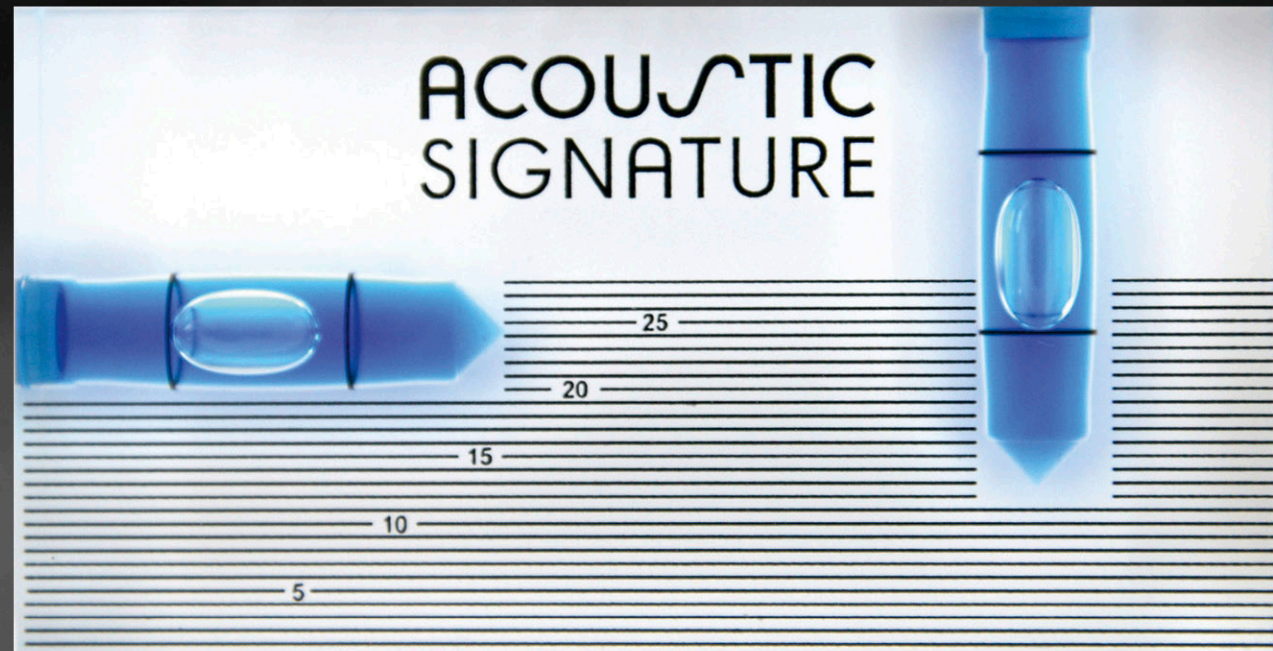




# ACCESSORIES

## BUBBLE LEVEL

- Dual axis bubble level
- Easy and precise leveling for turntables in one step



# CARTRIDGES

## MCX-SYSTEM



### MCX1

- Output 0,55 mV
- Elliptical Stylus



### MCX2

- Output 0,55 mV
- Elliptical naked Stylus



### MCX3

- Output 0,35 mV
- Nude Fine Line Stylus



### MCX4

- Output 0,35 mV
- Shibata Stylus

# WARRANTY

## EXTENDED WARRANTY

ACOUSTIC SIGNATURE is introducing an extended warranty of

- 15 years for ACOUSTIC SIGNATURE turntables
- 5 years for ACOUSTIC SIGNATURE tonearms

(applies exclusively to products manufactured from October 2020 onwards)

By introducing the extended warranty our customers will benefit from the constantly optimized quality control process. All products are produced under extremely well-organized conditions by highly skilled specialists.

For more information:

<https://www.acoustic-signature.com/service/warranty/>





# AWARDS 2022 & 2023:

## PERFECTION, EXCELLENCE, HIGH-CLASS – THE WORLD AGREES!



# Thank you for your attention.

[www.acoustic-signature.com](http://www.acoustic-signature.com)

AS-Distribution GmbH

Manufacturer of  
ACOUSTIC SIGNATURE

Hillenbrandstraße 10  
73079 Süßen / Germany

Phone +49 7162 20797-0

E-Mail [info@as-distribution.de](mailto:info@as-distribution.de)